

Miniature resistance thermometer

For sanitary applications, with flange connection

Model TR21-A

WIKA data sheet TE 60.26



for further approvals
see page 6

Applications

- Sanitary applications
- Food and beverage industry
- Bio and pharmaceutical industry, production of active ingredients

Special features

- Sensor can be calibrated without having to open the process
- Compact design for space-saving mounting
- Simple and fast electrical connection using an M12 x 1 plug connection
- With direct sensor output (Pt100/Pt1000 in 3 or 4-wire version) or integrated transmitter with 4 ... 20 mA output signal, individually parameterisable with free-of-charge WIKAsoft-TT PC configuration software
- Materials and surface finish quality in accordance with standards of hygienic designs

Description

The model TR21-A resistance thermometer provides temperature measurement in sanitary applications and can be used for the measurement of liquid and gaseous media in the range of $-30 \dots +250 \text{ }^{\circ}\text{C}$ [$-22 \dots +482 \text{ }^{\circ}\text{F}$]. For use in hazardous areas, intrinsically safe versions are available.

These thermometers are fitted with protection tubes, whose process connections meet the stringent requirements, in terms of materials and design, of hygienic measuring points. All electrical components are protected against moisture (IP67 or IP69K).

The resistance thermometer is available with direct sensor output or integrated transmitter, which can be configured individually via the WIKAsoft-TT PC configuration software. Measuring range, dampening, error signalling per NAMUR NE 043 and tag no. can be adjusted.



Model TR21-A with VARINLINE® connection

For easy calibration or maintenance, the sensor is interchangeable without having to open the process. Thus hygiene risks can be minimised and downtimes can be reduced.

The spring loading, integrated into the union nut, guarantees the contact between the sensor tip and the bottom of the protection tube and thus ensures a short response time and lasting high accuracy. The welded junction between the protection tube and the flange makes the use of a sealing as additional material in those areas redundant which are in contact with the product. Insertion length, process connection, sensor and connection method can each be selected for the respective application within the ordering information. The electrical connection is made via an M12 x 1 circular connector.

For applications requiring the sterilisation of the instrument in autoclaves, an especially temperature-resistant instrument version is available.

Specifications

Measuring element		
Type of measuring element		
4 ... 20 mA version (models TR21-A-xTT, TR21-A-xTB)	<ul style="list-style-type: none"> ■ Pt1000 (measuring current < 0.3 mA; self-heating can be ignored) ■ Face-sensitive Pt1000 ¹⁾ (measuring current < 0.3 mA; self-heating can be ignored) 	
Pt100 (model TR21-A-xPx)/Pt1000 (model TR21-A-xRx) version	<ul style="list-style-type: none"> ■ Pt100 (measuring current: 0.1 ... 1.0 mA) ■ Face-sensitive Pt100 (measuring current 0.1 ... 1.0 mA) ¹⁾ ■ Pt1000 (measuring current: 0.1 ... 0.3 mA) ■ Face-sensitive Pt1000 (measuring current 0.1 ... 0.3 mA) ¹⁾ 	
→ For detailed specifications for Pt sensors, see Technical information IN 00.17 at www.wika.com .		
Connection method		
4 ... 20 mA version (models TR21-A-xTT, TR21-A-xTB)	2-wire	
Pt100 (model TR21-A-xPx)/Pt1000 (model TR21-A-xRx) version	3-wire	With a cable length of 30 m or longer, measuring deviations can occur
	4-wire	The lead resistance can be ignored
Tolerance value of the measuring element ²⁾ per IEC 60751		
4 ... 20 mA version (models TR21-A-xTT, TR21-A-xTB)	Class A	
Pt100 (model TR21-A-xPx)/Pt1000 (model TR21-A-xRx) version	<ul style="list-style-type: none"> ■ Class AA ■ Class A 	

- 1) Face-sensitive measuring resistors, through their small design they serve to reduce the heat dissipation with short insertion lengths. Available for the temperature range up to 150 °C [302 °F]. For protection tube insertion lengths of less than 50 mm, face-sensitive measuring resistors are recommended. For protection tube insertion lengths of less than 11 mm, face-sensitive measuring resistors are generally used.
- 2) Depending on the process connection, the deviation can be greater.

Accuracy specifications (4 ... 20 mA version)	
Tolerance value of the measuring element ²⁾ per IEC 60751	Class A
Measuring deviation of the transmitter per IEC 62828	±0.25 K
Total measuring deviation in accordance with IEC 62828	Measuring deviation of the measuring element + transmitter
Influence of the ambient temperature	0.1 % of the set measuring span / 10 K T _a
Influence of supply voltage	±0.025 % of the set measuring span / V (depending on the supply voltage U _B)
Influence of the load	±0.05 % of the set measuring span / 100 Ω
Linearisation	Linear to temperature per IEC 60751
Output error	±0.1 % ¹⁾ of the set measuring span
Reference conditions	
Ambient temperature T _a ref	23 °C
Supply voltage U _B ref	DC 12 V

- 1) ±0.2 % for start of measuring range less than 0 °C [32 °F]
- 2) Depending on the process connection, the deviation can be greater.

Example calculation: Total measuring deviation

(measuring range 0 ... 150 °C, load 200 Ω, supply voltage 16 V, ambient temperature 33 °C, process temperature 100 °C)

Sensor element (class A per IEC 60751: 0.15+ (0.0020(t))):	±0.350 K
Measuring deviation of the transmitter ±0.25 K:	±0.250 K
Output error ±(0.1 % of 150 K):	±0.150 K
Effect of load ±(0.05 % / 100 Ω of 150 K):	±0.150 K
Influence of supply voltage ±(0.025 % / V of 150 K):	±0.150 K
Influence of the ambient temperature ±(0.1 % / 10 K T _a of 150 K):	±0.150 K

Measuring deviation (typical)

$$\sqrt{0.35 K^2 + 0.25 K^2 + 0.15 K^2 + 0.15 K^2 + 0.15 K^2}$$
$$\sqrt{0.275 K^2} = 0.524 K$$

Measuring deviation (maximum)

$$0.35 K + 0.25 K + 0.15 K + 0.15 K + 0.15 K = 1.2 K$$

Measuring range	
Temperature range	
4 ... 20 mA version (models TR21-A-xTT, TR21-A-xTB)	-30 ... +250 °C [-22 ... +482 °F] ¹⁾
Pt100 (model TR21-A-xPx)/Pt1000 (model TR21-A-xRx) version	Class AA 0 ... 150 °C [32 ... 302 °F]
	Class A -30 ... +250 °C [-22 ... +482 °F]
Unit (4 ... 20 mA version)	Configurable °C, °F, K
Temperature at the connector (Pt100, Pt1000 version)	Max. 85 °C [185 °F]
Measuring span (4 ... 20 mA version)	Minimum 20 K, maximum 300 K

1) The temperature transmitter should therefore be protected from temperatures over 85 °C [185 °F].

Process connection	
Type of process connection	<ul style="list-style-type: none">■ Clamp■ VARINLINE®■ NEUMO BioControl®■ Union nut DIN 11851■ Aseptic threaded pipe connection DIN 11864-1■ Aseptic flange DIN 11864-2■ Aseptic clamp connection DIN 11864-3■ Union nut SMS■ Process connection, straight■ Welding ball■ Ball-type compression fitting■ Collar-type compression fitting■ Ingold connection
Protection tube	
Protection tube model	TW22
Protection tube design	→ see drawings from page 12
Protection tube diameter	<ul style="list-style-type: none">■ 6 mm■ Protection tube tip stepped down to 4.5 mm (from U₁ > 25 mm)
Surface roughness	<ul style="list-style-type: none">■ R_a ≤ 0.76 µm (SF3 per ASME BPE)■ R_a ≤ 0.38 µm (SF4 per ASME BPE)■ R_a ≤ 0.38 µm electropolished (SF4 per ASME BPE)
Connection to thermometer	G 3/8"
Insertion length U ₁ ¹⁾	<ul style="list-style-type: none">■ 25 mm■ 50 mm■ 75 mm■ 100 mm■ 150 mm■ 200 mm <p>Other insertion lengths on request</p>
Material (wetted)	Stainless steel 1.4435 (316L, UNS S31603)

1) For the TR21-A design without protection tube, the insertion length is defined by the dimension l₁ (see "Dimensions in mm").
The thickness of bottom of the protection tube can be neglected for dimensioning. It is offset by the spring travel of the measuring insert.

→ For dimensions, see dimension tables from page 12

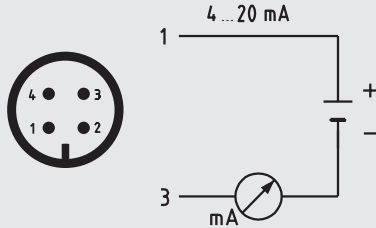
VARINLINE® is a registered trademark of the company GEA Tuchenhausen (former designation: VARIVENT®).
BioControl® is a registered trademark of the company NEUMO.

Output signal (4 ... 20 mA version)	
Analogue output	4 ... 20 mA, 2-wire
Load R_A	$R_A \leq (U_B - 10 \text{ V}) / 23 \text{ mA}$ with R_A in Ω and U_B in V The permissible load depends on the loop supply voltage. For communication with the instrument with programming unit PU-548, a max. load of 350 Ω is admissible.
Load diagram	<p>The load diagram is a graph with 'Load R_A in Ω' on the vertical axis and 'Voltage U_B in V' on the horizontal axis. The vertical axis has markings at 583, 833, and 1083. The horizontal axis has markings at 10, 24, 30, and 36. A solid line starts at (10, 0) and goes up to (36, 1083). Dashed lines connect the points (24, 583) and (30, 833) to their respective values on both axes. The area under the line from 30V to 36V is shaded with diagonal lines and labeled 'Not for instruments with Ex version'.</p>
Factory configuration	
Measuring range	Measuring range 0 ... 150 °C [32 ... 302 °F] Other measuring ranges are adjustable
Current signals for error signalling	Configurable in accordance with NAMUR NE 043 downscale $\leq 3.6 \text{ mA}$ upscale $\geq 21.0 \text{ mA}$
Current value for sensor short-circuit	Not configurable in accordance with NAMUR NE 043 downscale $\leq 3.6 \text{ mA}$
Communication	
Info data	Tag no., description and user message can be stored in transmitter
Configuration and calibration data	Permanently stored
Configuration software	WIKAsoft-TT → Configuration software (multilingual) as a download from www.wika.com
Voltage supply	
Supply voltage U_B	DC 10 ... 30 V
Supply voltage input	Protected against reverse polarity
Permissible residual ripple of supply voltage	10 % generated by $U_B < 3 \%$ ripple of the output current
Time response	
Switch-on delay, electrical	Max. 4 s (time before the first measured value)
Warm-up time	After approx. 4 minutes, the instrument will function to the specifications (accuracy) given in the data sheet.
Response time per IEC 60751	$t_{50} < 4.7 \text{ s}$ $t_{90} < 12.15 \text{ s}$

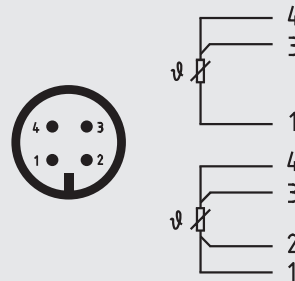
Electrical connection	
Connection type	M12 x 1 circular connector (4-pin)
Material	Stainless steel 1.4404

Pin assignment

Output signal 4 ... 20 mA
M12 x 1 circular connector (4-pin)



Output signal Pt100 sensor
M12 x 1 circular connector (4-pin)





Pin	Signal	Description
1	L+	10 ... 30 V
2	VQ	not connected
3	L-	0 V
4	C	not connected







Operating conditions	
Ambient temperature range	
4 ... 20 mA version (models TR21-A-xTT, TR21-A-xTB)	-40 ... +85 °C [-40 ... +185 °F]
Pt100 (model TR21-A-xPx)/Pt1000 (model TR21-A-xRx) version	-50 ... +85 °C [-58 ... +185 °F]
Storage temperature range	
-40 ... +85 °C [-40 ... +185 °F]	
Climate class per IEC 60654-1	
4 ... 20 mA version (models TR21-A-xTT, TR21-A-xTB)	Cx (-40 ... +85 °C [-40 ... +185 °F], 5 ... 95 % r. h.)
Pt100 (model TR21-A-xPx)/Pt1000 (model TR21-A-xRx) version	Cx (-50 ... +85 °C [-58 ... +185 °F], 5 ... 95 % r. h.)
Maximum permissible humidity, condensation	100 % r. h., condensation allowed
Max. operating pressure	Dependent on particular process connection
Salt fog	IEC 60068-2-11
Shock resistance per IEC 60068-2-27	50 g, 6 ms, 3 axes, 3 directions, three times per direction
Maximum permissible autoclaving conditions	Max. 134 °C, 3 bar abs., 100 % r. h., duration 20 min., max. 50 cycles Autoclavable with mounted protective cap at coupler connector
Conditions for outdoor use (only applies to UL approval)	<ul style="list-style-type: none"> ■ The instrument is suitable for applications with pollution degree 3. ■ The power supply must be suitable for operation above 2,000 m should the temperature transmitter be used at this altitude. ■ The instrument shall be installed in locations sheltered from the weather. ■ The instrument shall be installed sun/UV irradiation protected.
Ingress protection (IP code)	
Case with connected connector ¹⁾	<ul style="list-style-type: none"> ■ IP67 per IEC/EN 60529 ■ IP69 per IEC/EN 60529 ■ IP69K per ISO 20653 <p>The stated ingress protection only applies when plugged in using line connectors that have the appropriate ingress protection.</p>
Coupler connector, not connected	IP67 per IEC/EN 60529
Weight in kg	approx. 0.3 ... 2.5 (depending on version)









1) Not tested with UL

Approvals

Logo	Description	Country
	EU declaration of conformity	European Union
	EMC directive ^{1) 2)} EN 61326 emission (group 1, class B) and immunity (industrial application) Configuration at 20 % of the full measuring range	
	RoHS directive	
	UL - only for instrument version without explosion protection Safety (e.g. electr. safety, overpressure, ...)	USA and Canada

Optional approvals

Logo	Description	Country		
 	EU declaration of conformity	European Union		
	ATEX directive Hazardous areas Zone 0 gas II 1G Ex ia IIC T1 ... T6 Ga Zone 1 mounting to zone 0 gas II 1/2G Ex ia IIC T1 ... T6 Ga/Gb Zone 1 gas II 2G Ex ia IIC T1 ... T6 Gb Zone 20 dust II 1D Ex ia IIIC T135 °C Da Zone 21 mounting to zone 20 dust II 1/2D Ex ia IIIC T135 °C Da/Db Zone 21 dust II 2D Ex ia IIIC T135 °C Db			
			IECEx - in combination with ATEX Hazardous areas Zone 0 gas Ex ia IIC T1 ... T6 Ga Zone 1 mounting to zone 0 gas Ex ia IIC T1 ... T6 Ga/Gb Zone 1 gas Ex ia IIC T1 ... T6 Gb Zone 20 dust Ex ia IIIC T135 °C Da Zone 21 mounting to zone 20 dust Ex ia IIIC T135 °C Da/Db Zone 21 dust Ex ia IIIC T135 °C Db	International
			CSA Safety (e.g. electr. safety, overpressure, ...) Hazardous areas Class I, division 1 or 2, groups A, B, C, D T1 ... T6 Class I, zone 0 or 1, IIC Ex/AEx ia IIC T1 ... T6 Ga Class II / III, division 1 or 2, groups E, F, G T1 ... T6 / 135 °C Class II / III, zone 20 or 21, Ex/AEx ia IIIC T135 °C Da	
	 		EAC EMC directive ¹⁾ Hazardous areas Zone 0 gas 0Ex ia IIC T6 ... T1 Ga X Zone 1 gas 1Ex ia IIC T6 ... T1 Gb X Zone 1 gas Ex ia IIIC T135°C Gb X Zone 1 mounting to zone 0 gas Ex ia IIC T6 ... T1 Ga/Gb X Zone 20 dust Ex ia IIIC T135°C Da X Zone 20 dust Ex ia IIIC T80 ... T440 Da X Zone 21 dust Ex ia IIIC T80 ... T440 Db X	Eurasian Economic Community

Logo	Description	Country
	Ex Ukraine Hazardous areas Zone 0 gas II 1G Ex ia IIC T6 ... T1 Ga Zone 20 dust II 1D Ex ia IIIC T135 °C Da Zone 1 mounting to zone 0 gas II 1/2G Ex ia IIC T6 ... T1 Ga/Gb Zone 21 mounting to zone 20 dust II 1/2D Ex ia IIIC T135 °C Da/Db Zone 1 gas II 2G Ex ia IIC T6 ... T1 Gb Zone 21 dust II 2D Ex ia IIIC T135 °C Db Zone 1 gas II 2G Ex ib IIC T6 ... T1 Gb Zone 21 dust II 2D Ex ib IIIC T135 °C Db Zone 1 mounting to zone 0 gas II 1/2G Ex ib IIC T6 ... T1 Ga/Gb Zone 21 mounting to zone 20 dust II 1/2D Ex ib IIIC T135 °C Da/Db	Ukraine
	CCC ³⁾ Hazardous areas Zone 0 gas Ex ia IIC T1~T6 Ga Zone 1 gas Ex ia IIC T1~T6 Gb Zone 1 mounting to zone 0 gas Ex ia IIC T1~T6 Ga/Gb Zone 20 dust Ex iaD 20 T135 Zone 21 dust Ex iaD 21 T135 Zone 21 mounting to zone 20 dust Ex iaD 20/21 T135	China
	GOST Metrology, measurement technology	Russia
	KazInMetr Metrology, measurement technology	Kazakhstan
-	MTSCHS Permission for commissioning	Kazakhstan
	BelGIM Metrology, measurement technology	Belarus
	Uzstandard Metrology, measurement technology	Uzbekistan
	3-A ⁴⁾ Sanitary Standard	USA
	EHEDG ⁴⁾ Hygienic Equipment Design	European Union

1) Only for built-in transmitter

2) During transient interferences (e.g. burst, surge, ESD) take into account an increased measuring deviation of up to 2 %.

3) Not for built-in transmitter

4) Confirmation of 3-A or EHEDG conformity only valid with separately selectable 2.2 test report

Instruments marked with "ia" may also be used in areas only requiring instruments marked with "ib" or "ic".

If an instrument with "ia" marking has been used in an area with requirements in accordance with "ib" or "ic", it can no longer be operated in areas with requirements in accordance with "ia" afterwards.

Certificates (option)

Certificates		
Certificates	<ul style="list-style-type: none"> ■ 2.2 test report ■ 3.1 inspection certificate ■ DKD/DAkkS calibration certificate ■ Manufacturer's declaration regarding regulation (EC) 1935/2004 and (EC) 2023/2006 ■ Certificate of the surface roughness of wetted parts 	
Hygienic certificates	3-A approval	EHEDG approval
Clamp	Yes	Yes ²⁾
VARINLINE®	Yes	Yes
BioControl®	Yes	No
DIN 11851	Yes ¹⁾	Yes ²⁾
DIN 11864-1	Yes	Yes
DIN 11864-2	Yes	Yes
DIN 11864-3	Yes	Yes
Welding ball	Yes	No
Compression fitting	No	No
SMS	No	No
Ingold connection	No	No

1) In combination with
 - ASEPTO-STAR k-flex upgrade gaskets from Kieselmann GmbH, Germany or
 - SKS gasket set DIN 11851 EHEDG from Siersema Componenten Service (S.K.S.) B.V., Netherlands

2) In combination with
 T-ring seals from Combifit International B. V., Netherlands

For calibration, the measuring insert is removed from the thermometer. The minimum length (metal part of the probe) for carrying out a measurement accuracy test 3.1 or DKD/DAkkS is 100 mm.

Calibration of shorter lengths on request.

Approvals and certificates, see website

Safety-relevant characteristic values for explosion-protected version (option)

Thermometer with transmitter and 4 ... 20 mA output signal (models TR21-A-xTT, TR21-A-xTB)

Marking:

Hazardous gas atmosphere	Temperature class	Ambient temperature range (T_a)	Maximum surface temperature (T_{max}) at the tip of the probe or protection tube
II 1G Ex ia IIC T1 - T6 Ga II 1/2G Ex ia IIC T1 - T6 Ga/Gb II 2G Ex ia IIC T1 - T6 Gb	T6	-40 ... +45 °C	T_M (medium temperature) + self-heating (15 K) Pay attention to the special conditions for safe use.
	T5	-40 ... +60 °C	
	T4	-40 ... +85 °C	
	T3	-40 ... +85 °C	
	T2	-40 ... +85 °C	
	T1	-40 ... +85 °C	

Hazardous dust atmosphere	Power P_i	Ambient temperature range (T_a)	Maximum surface temperature (T_{max}) at the tip of the probe or protection tube
II 1D Ex ia IIIC T135 °C Da II 1/2D Ex ia IIIC T135 °C Da/Db II 2D Ex ia IIIC T135 °C Db	750 mW	-40 ... +40 °C	T_M (medium temperature) + self-heating (15 K) Pay attention to the special conditions for safe use.
	650 mW	-40 ... +70 °C	
	550 mW	-40 ... +85 °C	

Safety-related maximum values for the current loop circuit (+ and - connections):

Parameters	Hazardous gas atmosphere	Hazardous dust atmosphere
Terminals	+ / -	+ / -
Voltage U_i	DC 30 V	DC 30 V
Current I_i	120 mA	120 mA
Power P_i	800 mW	750/650/550 mW
Effective internal capacitance C_i	29.7 nF	29.7 nF
Effective internal inductance L_i	Negligible	Negligible
Maximum self-heating at the probe or protection tube tip	15 K	15 K

Thermometer with direct sensor output with Pt100 (model TR21-A-xPx) or Pt1000 (model TR21-A-xRx)

Marking:

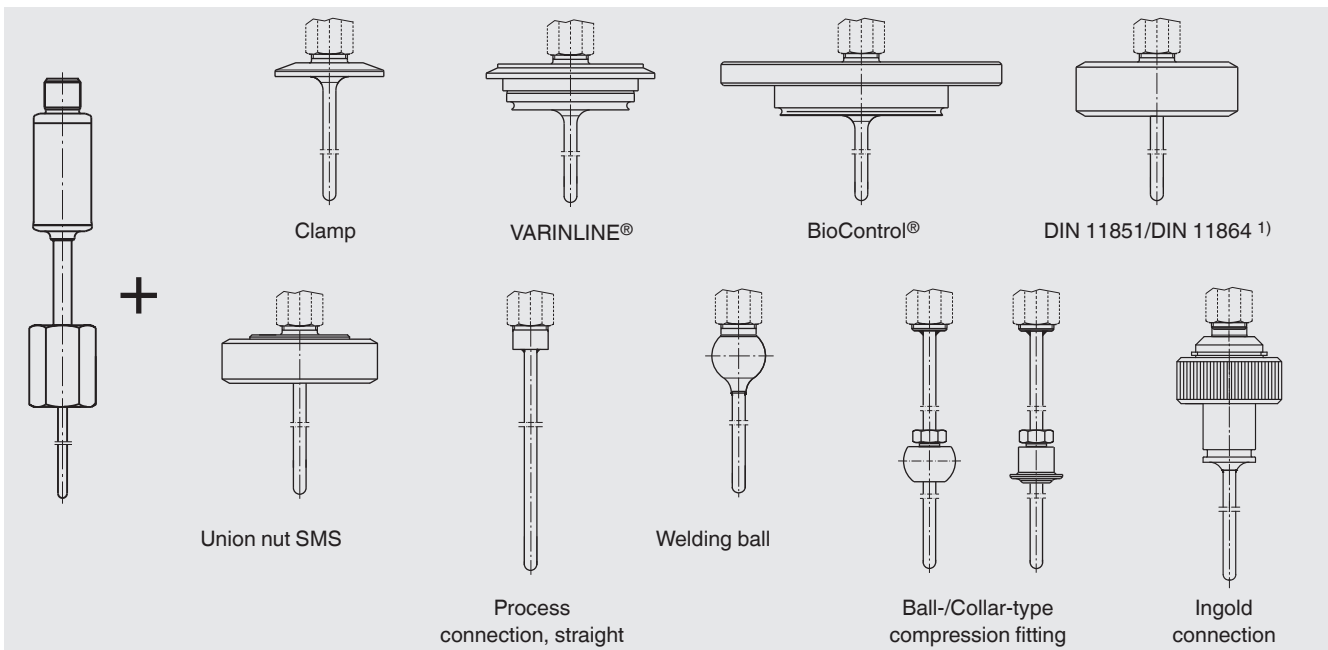
Marking	Temperature class	Ambient temperature range (T_a)	Maximum surface temperature (T_{max}) at the tip of the probe or protection tube
II 1G Ex ia IIC T1 - T6 Ga II 1/2G Ex ia IIC T1 - T6 Ga/Gb II 2G Ex ia IIC T1 - T6 Gb	T6	-50 ... +80 °C	T_M (medium temperature) + self-heating Pay attention to the special conditions for safe use.
	T5	-50 ... +85 °C	
	T4	-50 ... +85 °C	
	T3	-50 ... +85 °C	
	T2	-50 ... +85 °C	
	T1	-50 ... +85 °C	

Marking	Power P_i	Ambient temperature range (T_a)	Maximum surface temperature (T_{max}) at the tip of the probe or protection tube
II 1D Ex ia IIIC T135 °C Da II 1/2D Ex ia IIIC T135 °C Da/Db II 2D Ex ia IIIC T135 °C Db	750 mW	-50 ... +40 °C	T_M (medium temperature) + self-heating Pay attention to the special conditions for safe use.
	650 mW	-50 ... +70 °C	
	550 mW	-50 ... +85 °C	

Safety-related maximum values for the current loop circuit (connections in accordance with pin assignment 1 - 4):

Parameters	Gas applications	Dust applications
Terminals	1 - 4	1 - 4
Voltage U_i	DC 30 V	DC 30 V
Current I_i	550 mA	250 mA
Power P_i	1,500 mW	750/650/550 mW
Effective internal capacitance C_i	Negligible	Negligible
Effective internal inductance L_i	Negligible	Negligible
Maximum self-heating at the probe or protection tube tip	$(R_{th}) = 335 \text{ K/W}$	$(R_{th}) = 335 \text{ K/W}$

Overview of combinations

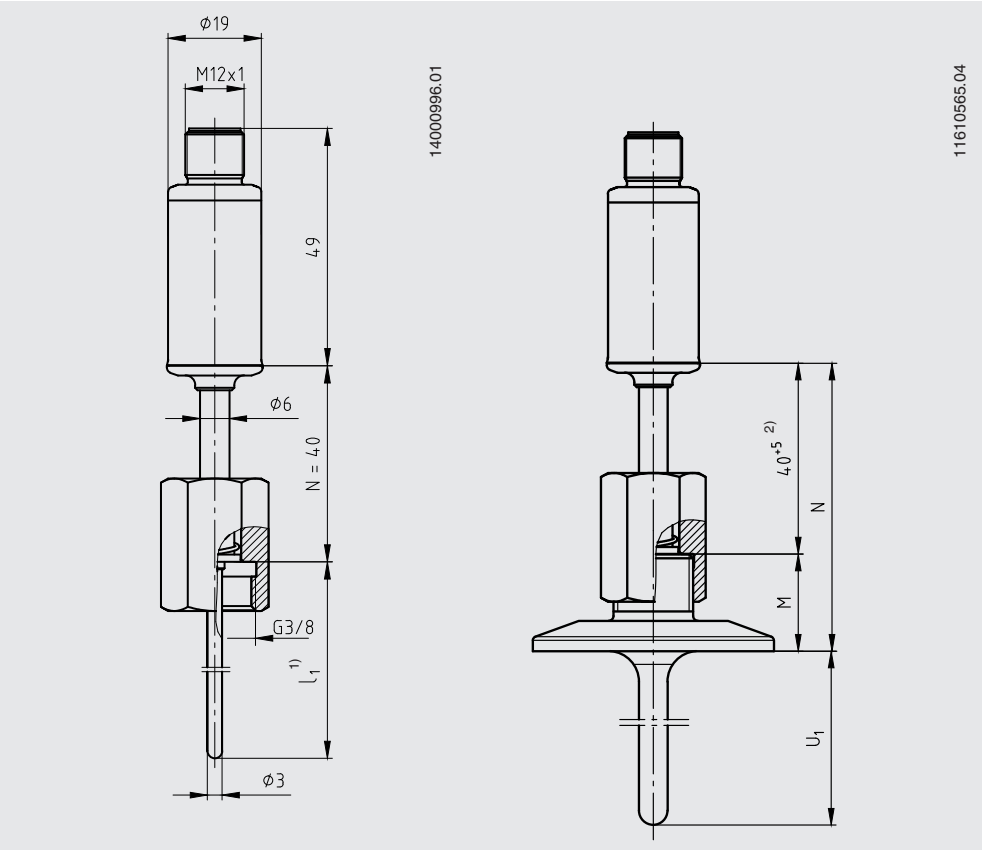


1) Process connections per DIN 11864-2 and DIN 11864-3, see "Dimensions of the process connections in mm"

VARINLINE® is a registered trademark of the company GEA Tuchenhausen (former designation: VARIVENT®).

BioControl® is a registered trademark of the company NEUMO.

Dimensions in mm



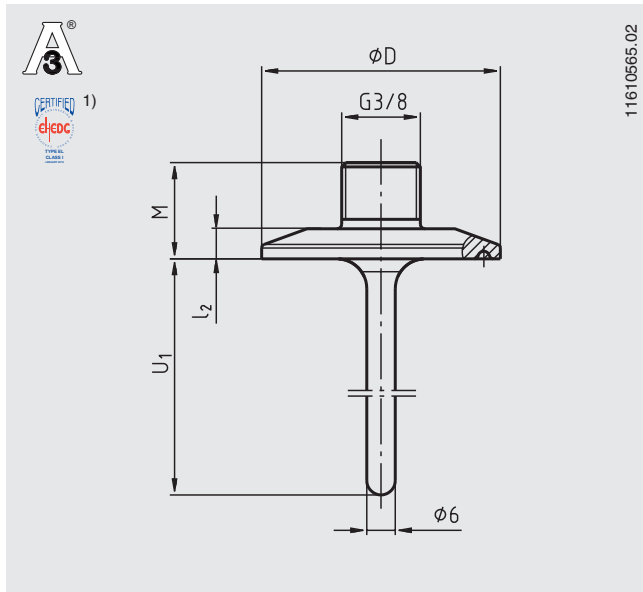
- 1) In the event of replacement, calculate the probe insertion length, I_1 , as follows: $I_1 (TR21-A) = U_1 + M$
- 2) The tolerance specification is dependent on the spring travel of the sensor/probe

Legend:

- I_1 Probe insertion length
- N Neck length
- M Neck tube length
- U_1 Insertion length

Dimensions of the process connections in mm (protection tube model TW22)

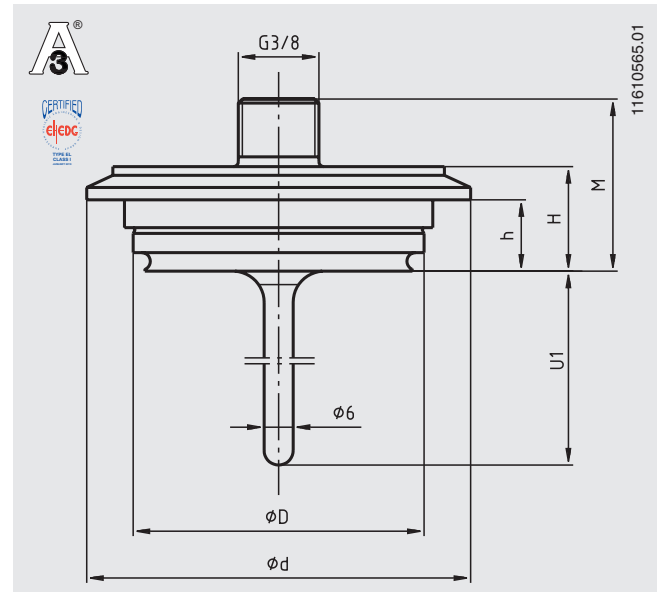
Clamp process connection



U_1 = variable insertion length

1) In combination with
T-ring seals from Combifit International B. V., Netherlands

VARINLINE® process connection



U_1 = variable insertion length

Dimensions for clamp process connection

Process connection	Nominal width in mm/inch	PN in bar	Dimensions in mm			Weight in kg
			ϕD	M	l_2	
DIN 32676 for pipes per DIN 11866 row A ¹⁾	DN 10 ... 20	25	34.0	20.35	6.35	0.2
	DN 25 ... 40	25	50.5	20.35	6.35	0.3
	DN 50	16	64.0	20.35	6.35	0.4
DIN 32676 for pipes per DIN 11866 row B	13.5 ... 17.2	25	25.0	18.75	4.75	0.2
	21.3 ... 33.7	25	50.5	20.35	6.35	0.3
	42.4 ... 48.3	16	64.0	20.35	6.35	0.3
DIN 32676 for pipes per DIN 11866 row C	1/2" ... 3/4"	25	25.0	18.75	4.75	0.2
	1" ... 1 1/2"	25	50.5	20.35	6.35	0.3
	2"	16	64.0	20.35	6.35	0.4
TRI-CLAMP® per ASME BPE	1/2" ... 3/4"	13.8	25.0	18.75	4.75	0.2
	1" ... 1 1/2"	13.8	50.5	20.35	6.35	0.3
	2"	13.8	64.0	20.35	6.35	0.4
	2 1/2"	13.8	77.5	20.35	6.35	0.5
	3"	13.8	91.0	20.35	6.35	0.6
4"	13.8	119.0	20.35	6.35	0.8	

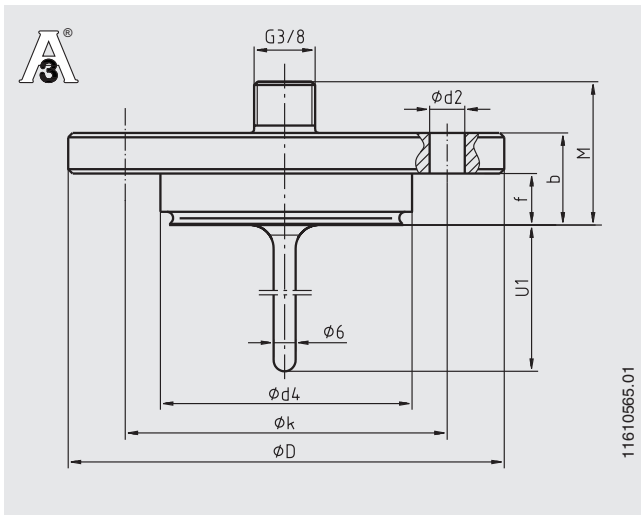
1) Process connection identical in construction to ISO 2852

Dimensions for VARINLINE® process connection

Process connection	Nominal width in mm	PN in bar	Dimensions in mm				Weight in kg	
			ϕD	M	ϕd	H		h
Form B	DN 10, DN 15	25	31	34	52.7	20	13.65	0.3
Form F	DN 25, DN 32	25	50	32	66.0	18	12.30	0.4
Form N	DN 40, DN 50	25	68	32	84.0	18	12.30	0.6

TRI-CLAMP® is a trademark of the company Alfa Laval AB SE.
VARINLINE® is a registered trademark of the company GEA Tuchenhagen (former designation: VARIVENT®).

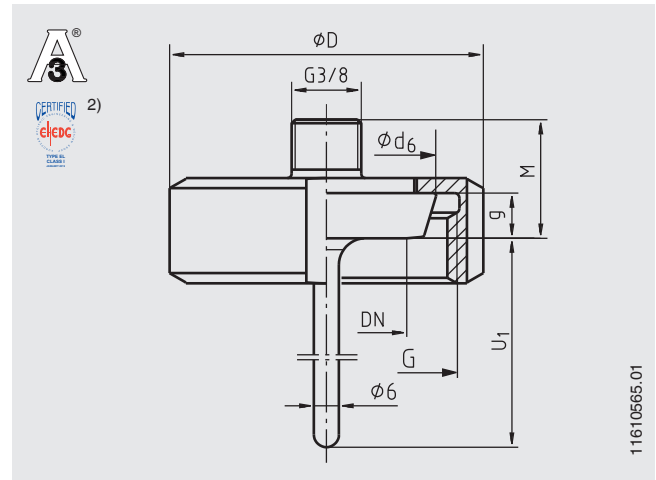
NEUMO BioControl® process connection



U₁ = variable insertion length

For fitting into a flow-through housing, the insertion length U₁ and the protection tube diameter must be matched. For angular housings, the insertion length U₁ must be specified by the customer. The cases are not part of the scope of delivery of the resistance thermometers and can be ordered as a separate item. For a detailed description of the BioControl® cases, see data sheet AC 09.14.

Union nut process connection DIN 11851 with conical coupling (milk thread fitting)



U₁ = variable insertion length

- 2) In combination with
 - ASEPTO-STAR k-flex upgrade gaskets from Kieselmann GmbH, Germany or
 - SKS gasket set DIN 11851 EHEDG from Siersema Komponenten

Dimensions for NEUMO BioControl® process connection

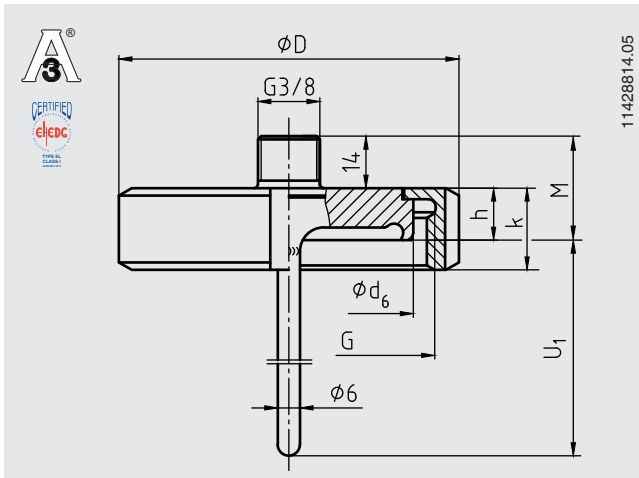
Case size	Nominal width in mm	PN in bar	Dimensions in mm								Weight in kg
			U ₁ ³⁾	Ø d ₄	Ø D	M	f	b	Ø k	Ø d ₂	
Size 25	DN 8	16	5	30.5	64	34	11	20	50	4 x Ø 7	0.4
	DN 10	16	6	30.5	64	34	11	20	50	4 x Ø 7	0.4
	DN 15	16	9	30.5	64	34	11	20	50	4 x Ø 7	0.4
	DN 20	16	11	30.5	64	34	11	20	50	4 x Ø 7	0.4
Size 50	DN 25	16	15	50.0	90	41	17	27	70	4 x Ø 9	0.8
	DN 40	16	20	50.0	90	41	17	27	70	4 x Ø 9	0.8
	DN 50	16	25	50.0	90	41	17	27	70	4 x Ø 9	0.8
	DN 65	16	35	50.0	90	41	17	27	70	4 x Ø 9	0.8
	DN 80	16	45	50.0	90	41	17	27	70	4 x Ø 9	0.8
	DN 100	16	55	50.0	90	41	17	27	70	4 x Ø 9	0.8
Size 65	DN 40	16	20	68.0	120	41	17	27	95	4 x Ø 11	1.4
	DN 50	16	25	68.0	120	41	17	27	95	4 x Ø 11	1.4
	DN 65	16	35	68.0	120	41	17	27	95	4 x Ø 11	1.4
	DN 80	16	45	68.0	120	41	17	27	95	4 x Ø 11	1.4
	DN 100	16	55	68.0	120	41	17	27	95	4 x Ø 11	1.4

Dimensions for union nut process connection DIN 11851 with conical coupling (milk thread fitting)

Nominal width in mm	PN in bar	Dimensions in mm					Weight in kg
		Ø d ₆	G	Ø D	M	g	
DN 20	40	36.5	RD 44 x 1/6	54	25	8	0.4
DN 25	40	44.0	RD 52 x 1/6	63	27	10	0.5
DN 32	40	50.0	RD 58 x 1/6	70	27	10	0.6
DN 40	40	56.0	RD 65 x 1/6	78	27	10	0.8
DN 50	25	68.5	RD 78 x 1/6	92	28	11	0.9

3) Recommended insertion length for installation in BioControl® flow-through housing; other insertion lengths are possible

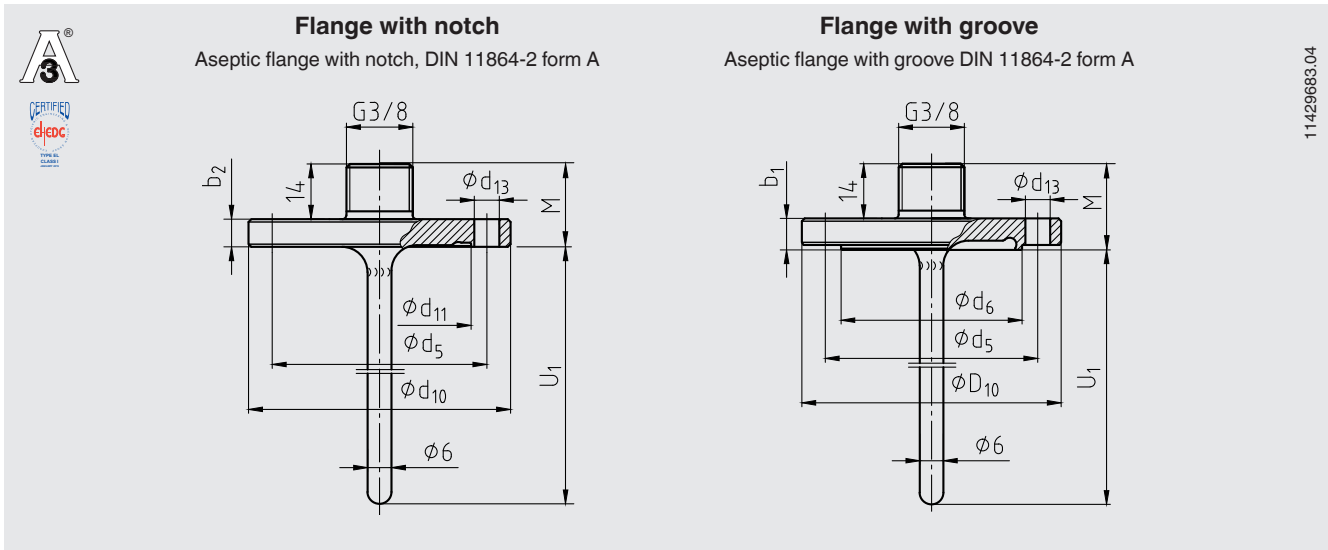
**Process connection, aseptic threaded pipe connection DIN 11864-1
with form A liner, for pipes in accordance with DIN 11866 row A, B and C**



U_1 = variable insertion length

Nominal width of pipe DN / OD	Nominal pressure in bar PN	Outer diameter of pipe	Pipe schedule s	Inner diameter of pipe	Process connection					Aseptic O-ring	Weight in kg
					ϕD	M	G	h	k		
DIN 11866 row A or metric											
10	40	13	1.5	10	38	23	RD 28 x 1/8	9	18	12 x 3.5	1.2
15	40	19	1.5	16	44	23	RD 34 x 1/8	9	18	18 x 3.5	1.2
20	40	23	1.5	20	54	24	RD 44 x 1/6	10	20	22 x 3.5	1.25
25	40	29	1.5	26	63	26	RD 52 x 1/6	12	21	28 x 3.5	1.4
32	40	35	1.5	32	70	27	RD 58 x 1/6	13	21	34 x 5	1.45
40	40	41	1.5	38	78	27	RD 65 x 1/6	13	21	40 x 5	1.6
50	25	53	1.5	50	92	28	RD 78 x 1/6	14	22	52 x 5	1.7
DIN 11866 row B or ISO											
8 (13.5)	40	13.5	1.6	10.3	38	23	RD 28 x 1/8	9	18	12 x 3.5	1.2
10 (17.2)	40	17.2	1.6	14	44	23	RD 34 x 1/8	9	18	16 x 3.5	1.2
15 (21.3)	40	21.3	1.6	18.1	54	24	RD 44 x 1/6	10	20	20 x 3.5	1.3
20 (26.9)	40	26.9	1.6	23.7	63	26	RD 52 x 1/6	12	21	26 x 3.5	1.4
25 (33.7)	40	33.7	2	29.7	70	27	RD 58 x 1/6	13	21	32 x 5	1.5
32 (42.4)	25	42.4	2	38.4	78	27	RD 65 x 1/6	13	21	40.5 x 5	1.6
40 (48.3)	25	48.3	2	44.3	92	28	RD 78 x 1/6	14	22	46.6 x 5	1.7
DIN 11866 row C or ASME BPE											
1/2"	40	12.7	1.65	9.4	38	23	RD 28 x 1/8	9	18	12 x 3.5	1.2
3/4"	40	19.05	1.65	15.75	44	23	RD 34 x 1/8	9	18	18 x 3.5	1.2
1"	40	25.4	1.65	22.1	63	26	RD 52 x 1/6	12	21	24 x 3.5	1.4
1 1/2"	40	38.1	1.65	34.8	78	27	RD 65 x 1/6	13	21	37 x 5	1.6
2"	25	50.8	1.65	47.5	92	28	RD 78 x 1/6	14	22	50 x 5	1.7

Aseptic flange process connection DIN 11864-2, form A for pipes in accordance with DIN 11866 row A



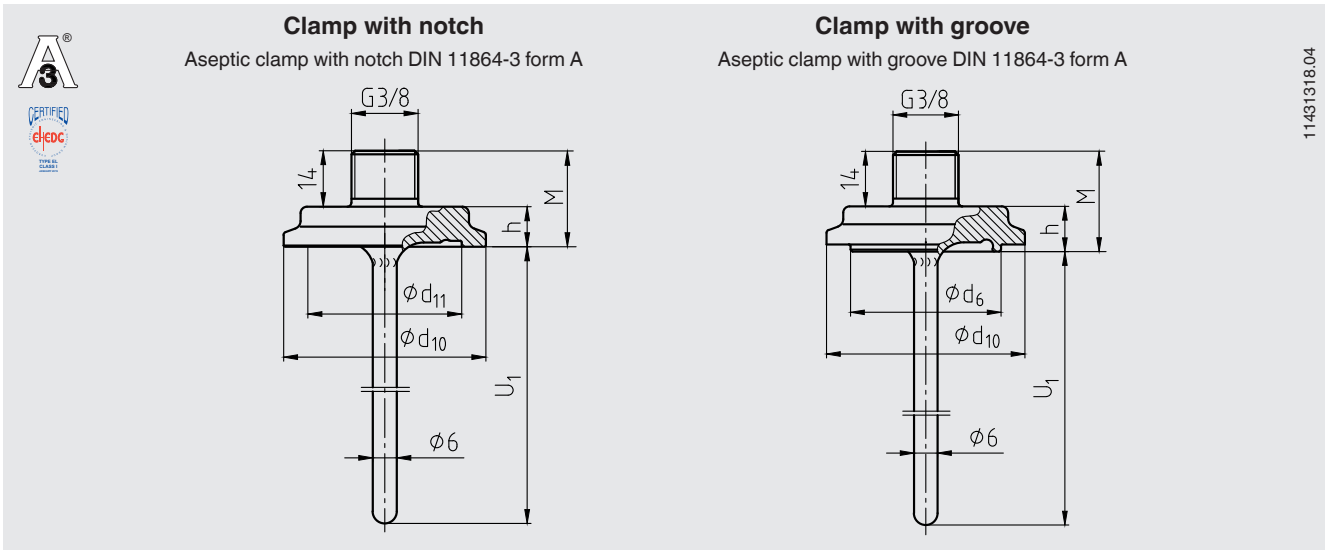
11429683.04

U₁ = variable insertion length

Process connection	Nominal width in mm	PN in bar	Dimensions in mm									Weight in kg
			M	b ₁	b ₂	Ø d ₅	Ø d ₆	Ø d ₁₀	Ø d ₁₁	Ø d ₁₃	Aseptic O-ring	
Flange with notch	DN 10	25	24	-	10	37	-	54	22.4	4 x Ø 9	12 x 3.5	0.2
	DN 15	25	24	-	10	42	-	59	28.4	4 x Ø 9	18 x 3.5	0.25
	DN 20	25	24	-	10	47	-	64	32.4	4 x Ø 9	22 x 3.5	0.3
	DN 25	25	24	-	10	53	-	70	38.4	4 x Ø 9	28 x 3.5	0.1
	DN 32	25	24	-	10	59	-	76	47.7	4 x Ø 9	34 x 5	0.4
	DN 40	25	24	-	10	65	-	82	53.7	4 x Ø 9	40 x 5	0.5
	DN 50	16	24	-	10	77	-	94	65.7	4 x Ø 9	52 x 5	0.6
Flange with groove	DN 10	25	25.5	11.5	-	37	22.3	54	-	4 x Ø 9	12 x 3.5	0.25
	DN 15	25	25.5	11.5	-	42	28.3	59	-	4 x Ø 9	18 x 3.5	0.3
	DN 20	25	25.5	11.5	-	47	32.3	64	-	4 x Ø 9	22 x 3.5	0.3
	DN 25	25	25.5	11.5	-	53	38.3	70	-	4 x Ø 9	28 x 3.5	0.4
	DN 32	25	25.5	11.5	-	59	47.6	76	-	4 x Ø 9	34 x 5	0.45
	DN 40	25	25.5	11.5	-	65	56.6	82	-	4 x Ø 9	40 x 5	0.6
	DN 50	16	25.5	11.5	-	77	65.6	94	-	4 x Ø 9	52 x 5	0.7

Connections for pipes in accordance with DIN 11866 row B (ISO pipes) and row C (ASME pipes) available on request.

Aseptic clamp process connection, DIN 11864-3, form A for pipes in accordance with DIN 11866 row A

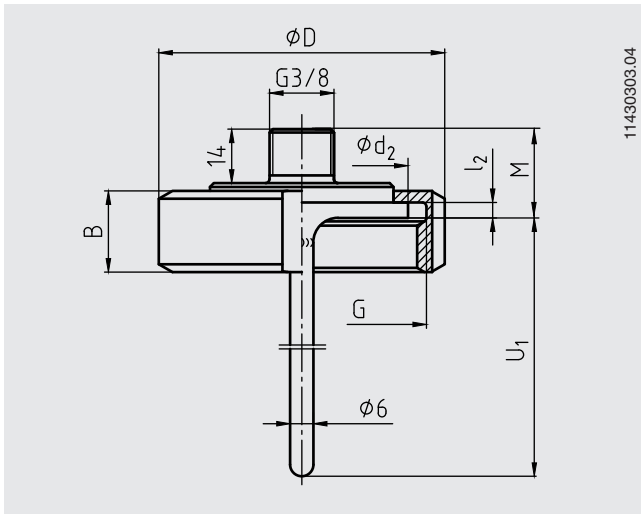


U₁ = variable insertion length

Process connection	Nominal width in mm	PN in bar	Dimensions in mm						Aseptic O-ring	Weight in kg
			M	Ø d ₆	Ø d ₁₀	Ø d ₁₁	h			
Clamp with notch	DN 10	40	25.5	-	34	22.4	11.5	12 x 3.5	0.2	
	DN 15	40	25.5	-	34	28.4	11.5	18 x 3.5	0.2	
	DN 20	40	25.5	-	50.5	32.4	11.5	22 x 3.5	0.3	
	DN 25	40	25.5	-	50.5	38.4	11.5	28 x 3.5	0.3	
	DN 32	40	25.5	-	50.5	47.7	11.5	34 x 5	0.3	
	DN 40	40	25.5	-	64	53.7	11.5	40 x 5	0.4	
	DN 50	25	27.5	-	77.5	65.7	13.5	52 x 5	0.5	
Clamp with groove	DN 10	40	27	22.3	34	-	13	12 x 3.5	0.2	
	DN 15	40	27	28.3	34	-	13	18 x 3.5	0.2	
	DN 20	40	27	32.3	50.5	-	13	22 x 3.5	0.3	
	DN 25	40	27	38.3	50.5	-	13	28 x 3.5	0.3	
	DN 32	40	27	47.6	50.5	-	13	34 x 5	0.3	
	DN 40	40	27	53.6	64	-	13	40 x 5	0.4	
	DN 50	25	29	65.6	77.5	-	15	52 x 5	0.5	

Connections for pipes in accordance with DIN 11866 row B (ISO pipes) and row C (ASME pipes) available on request.

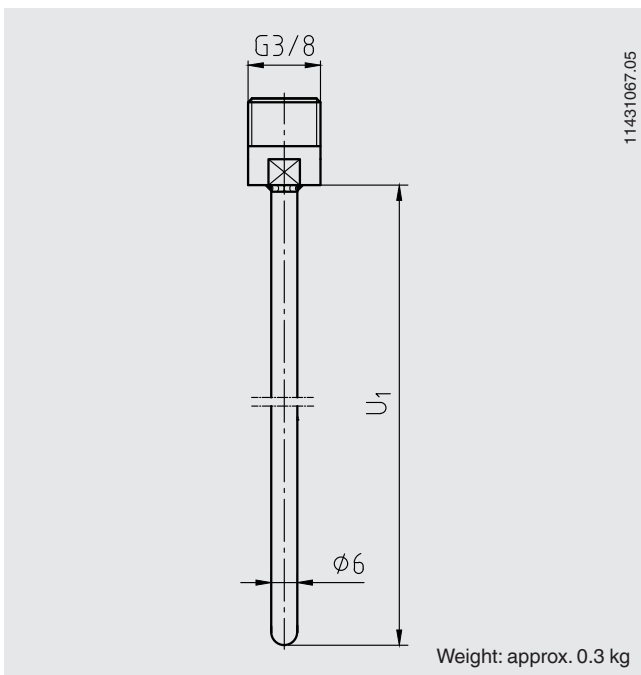
Union nut process connection SMS



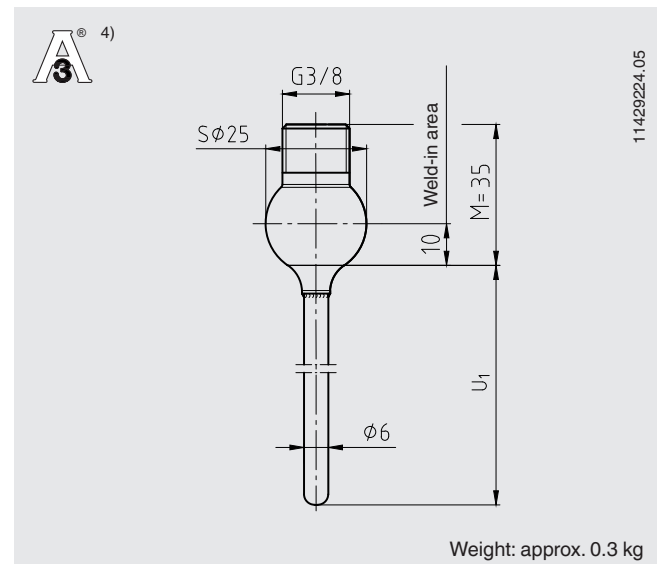
U_1 = variable insertion length

Nominal width in inch	PN in bar	Dimensions in mm						Weight in kg
		ϕD	M	ϕd_2	B	l_2	G	
1"	40	51	22	35.5	25	3.5	RD 40 x 1/6	0.4
1 1/2"	40	74	23	55	25	4	RD 60 x 1/6	0.8
2"	40	84	23	65	26	4	RD 70 x 1/6	1.0

Process connection, straight, $\phi 6$ mm, basic shape for compression fitting



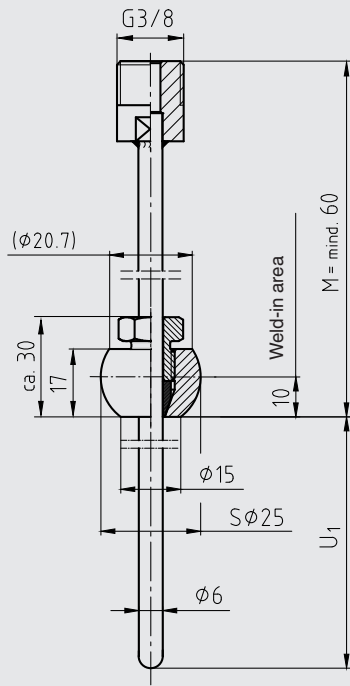
Welding ball process connection



4) In order to meet the 3-A standard, the weld seam must be finished with a minimum radius of 3.2 mm on the product side. In this way, no weld defects, such as recesses or gaps, remain.

Compression fitting process connection

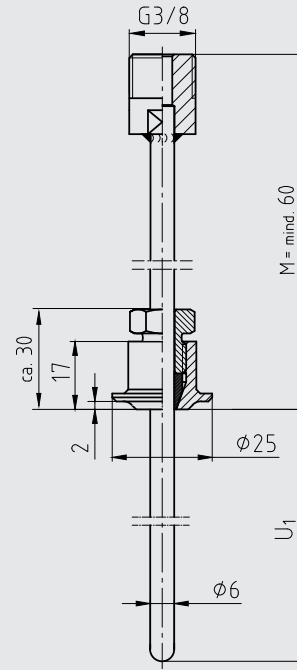
Ball-type compression fitting



11428954.05

Weight: approx. 0.3 kg

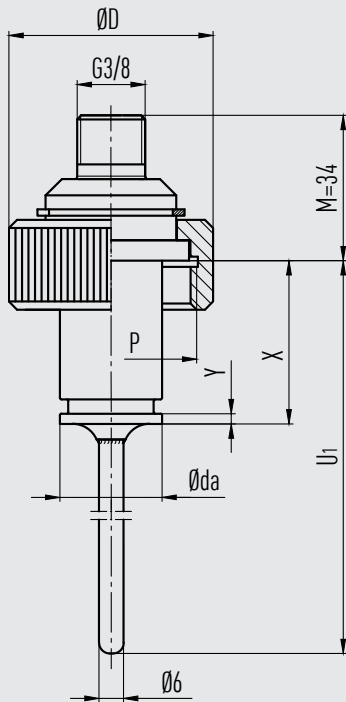
Collar-type compression fitting



11429208.04

Weight: approx. 0.3 kg

Process connection, Ingold connection

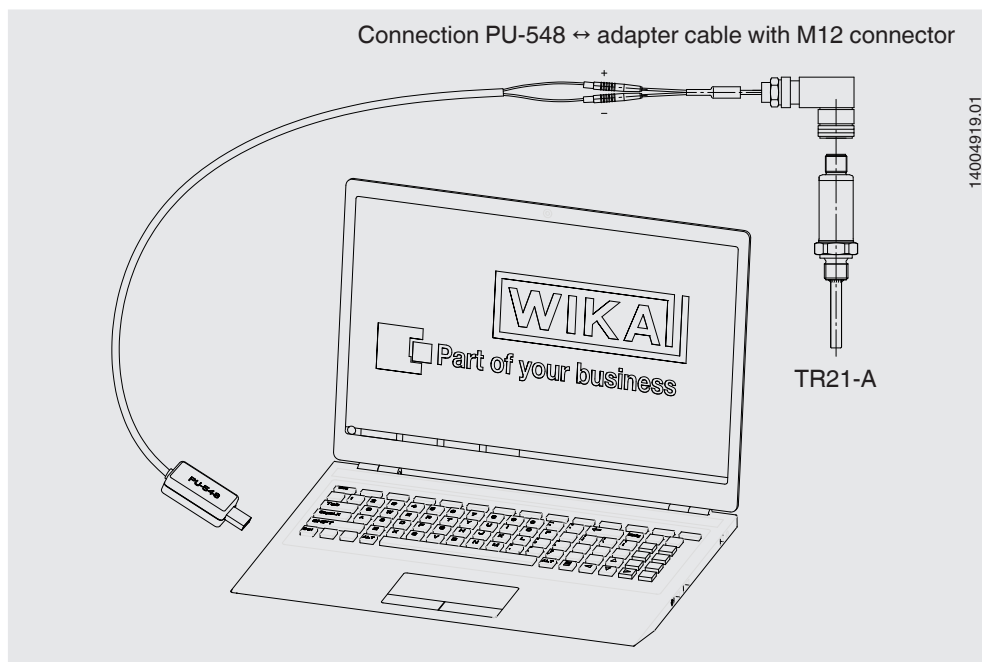


14481215.01

Weight: approx. 0.3 kg

Further process connections and nominal widths available on request.

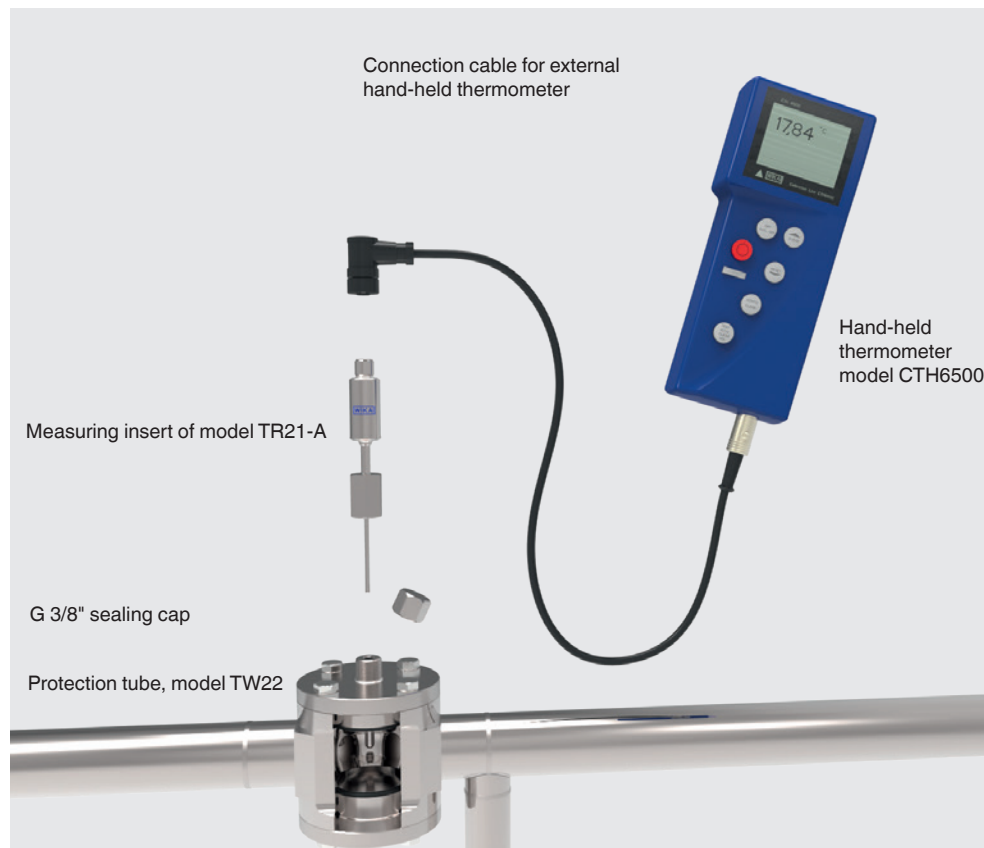
Connecting the PU-548 programming unit



(predecessor, programming unit model PU-448, also compatible)

Application example

Temperature measurement for plant or measuring point validation





The measuring insert of the model TR21-A resistance thermometer, in combination with the model CTH6500 hand-held thermometer and the model TW22 protection tube, offers a simple and effective possibility for sterile validation of a temperature measuring point. Here, in the design phase, a model TW22 protection tube must be integrated in the pipeline, which will serve as the measuring point at a later date. To validate this measuring point, a resistance thermometer measuring insert with a spring-loaded tip is screwed into the protection tube and the temperature read from the connected hand-held thermometer.

The measuring point already available for the validation ensures that the sterile boundaries remain intact. Due to the defined contact pressure of the spring-loaded probe and the predetermined immersion depth in the pipeline, the temperature measurement is reproducible at any time. The time needed for the measurement is low.

Further components

Component	Order number
G 3/8" sealing cap	14136849
O-ring for use with G 3/8" sealing cap	0478709
Connection cable for the connection of the model TR21-A resistance thermometer to the model CTH6500 hand-held thermometer Cable length 2 m	14131257
Hand-held thermometer model CTH6500 (data sheet CT 55.10)	14007838

Accessories

Model	Description	Order no.																					
 Programming unit Model PU-548	<ul style="list-style-type: none"> ■ Easy to use ■ LED status display ■ Compact design ■ No further voltage supply needed, neither for the programming unit nor for the transmitter (replaces programming unit model PU-448)	14231581																					
 Adapter cable M12 to PU-548	Adapter cable for the connection of a model TR21-A resistance thermometer to the model PU-548 programming unit	14003193																					
-	M12 sealing cap with mounted PTFE sealing	Sealing cap for protecting the resistance thermometer during sterilisation in autoclaves	14113588																				
-	M12 connection cable	<table border="1"> <tbody> <tr> <td rowspan="2"> Cable socket straight, 4-pin, ingress protection IP67 <ul style="list-style-type: none"> ■ Temperature range -20 ... +80 °C ■ Suitable for hazardous areas </td> <td>Cable length 2 m</td> <td>14086880</td> </tr> <tr> <td>Cable length 5 m</td> <td>14086883</td> </tr> <tr> <td rowspan="2"> Cable socket straight., 4-pin, ingress protection IP69K, hygienic design <ul style="list-style-type: none"> ■ Temperature range -40 ... +80 °C ■ Not for hazardous areas </td> <td>Cable length 3 m</td> <td>14137167</td> </tr> <tr> <td>Cable length 5 m</td> <td>14137168</td> </tr> <tr> <td rowspan="2"> Angled socket, 4-pin, ingress protection IP67 <ul style="list-style-type: none"> ■ Temperature range -20 ... +80 °C ■ Suitable for hazardous areas </td> <td>Cable length 2 m</td> <td>14086889</td> </tr> <tr> <td>Cable length 5 m</td> <td>14086891</td> </tr> <tr> <td rowspan="2"> Angled socket, 4-pin, ingress protection IP69K, hygienic design <ul style="list-style-type: none"> ■ Temperature range -40 ... +80 °C ■ Not for hazardous areas </td> <td>Cable length 3 m</td> <td>14137169</td> </tr> <tr> <td>Cable length 5 m</td> <td>14137170</td> </tr> </tbody> </table>	Cable socket straight, 4-pin, ingress protection IP67 <ul style="list-style-type: none"> ■ Temperature range -20 ... +80 °C ■ Suitable for hazardous areas 	Cable length 2 m	14086880	Cable length 5 m	14086883	Cable socket straight., 4-pin, ingress protection IP69K, hygienic design <ul style="list-style-type: none"> ■ Temperature range -40 ... +80 °C ■ Not for hazardous areas 	Cable length 3 m	14137167	Cable length 5 m	14137168	Angled socket, 4-pin, ingress protection IP67 <ul style="list-style-type: none"> ■ Temperature range -20 ... +80 °C ■ Suitable for hazardous areas 	Cable length 2 m	14086889	Cable length 5 m	14086891	Angled socket, 4-pin, ingress protection IP69K, hygienic design <ul style="list-style-type: none"> ■ Temperature range -40 ... +80 °C ■ Not for hazardous areas 	Cable length 3 m	14137169	Cable length 5 m	14137170	
Cable socket straight, 4-pin, ingress protection IP67 <ul style="list-style-type: none"> ■ Temperature range -20 ... +80 °C ■ Suitable for hazardous areas 	Cable length 2 m	14086880																					
	Cable length 5 m	14086883																					
Cable socket straight., 4-pin, ingress protection IP69K, hygienic design <ul style="list-style-type: none"> ■ Temperature range -40 ... +80 °C ■ Not for hazardous areas 	Cable length 3 m	14137167																					
	Cable length 5 m	14137168																					
Angled socket, 4-pin, ingress protection IP67 <ul style="list-style-type: none"> ■ Temperature range -20 ... +80 °C ■ Suitable for hazardous areas 	Cable length 2 m	14086889																					
	Cable length 5 m	14086891																					
Angled socket, 4-pin, ingress protection IP69K, hygienic design <ul style="list-style-type: none"> ■ Temperature range -40 ... +80 °C ■ Not for hazardous areas 	Cable length 3 m	14137169																					
	Cable length 5 m	14137170																					

Ordering information

Model / Approval / Sensor or transmitter output / Sensor specification or transmitter configuration / Process temperature / Protection tube / Process connection / Protection tube diameter / Material of wetted parts / Insertion length U₁ / Electrical accessories / Certificates / Options

© 12/2010 WIKA Alexander Wiegand SE & Co. KG, all rights reserved.
 The specifications given in this document represent the state of engineering at the time of publishing.
 We reserve the right to make modifications to the specifications and materials.

