

**Specifications**

For other materials or modifications, please consult TESCOM.

**OPERATING PARAMETERS**

Pressure rating per criteria of ANSI/ASME B31.3

<b>Maximum Inlet Pressure</b>	0-50, 0-150, 0-250 psig / 0-3.4, 0-10.3, 0-17.2 bar
<b>Design Proof Pressure</b>	150% maximum rated
<b>Leakage</b>	Bubble-tight
<b>Operating Temperature<sup>1</sup></b>	-40°F to 165°F / -40°C to 74°C
<b>Flow Capacity</b>	C <sub>v</sub> = 0.60
<b>Maximum Operating Torque</b>	25 in-lbs / 2.8 N•m

1. For extended temperatures from -40°F to 400°F / -40°C to 204°C, please consult TESCOM.

**MEDIA CONTACT MATERIALS**

<b>Body</b>	303 Stainless Steel, 316 Stainless Steel, or Aluminum 2024-T351
<b>Diaphragm</b>	Buna-N
<b>Main Valve Seat</b>	Teflon®
<b>O-Rings</b>	Buna-N
<b>Seals</b>	Teflon®
<b>Remaining Parts</b>	300 Series Stainless Steel

**OTHER**

<b>Cleaning</b>	CGA 4.1 and ASTM G93
<b>Weight</b>	<b>Stainless Model:</b> 2.25 lbs / 1.0 kg <b>Aluminum Model:</b> 1.25 lbs / 0.6 kg

Teflon® is a registered trademark of E.I. du Pont de Nemours and Company.



TESCOM 26-2300 Series is a highly accurate, diaphragm sensed backpressure regulator. It controls pressures up to 500 psig / 34.5 bar and offers many C<sub>v</sub>s from 0.02 up to 1.0. Air and dome loaded versions are available for remote operation or for use with the TESCOM ER3000 Electropneumatic Controller for automation.

**Applications**

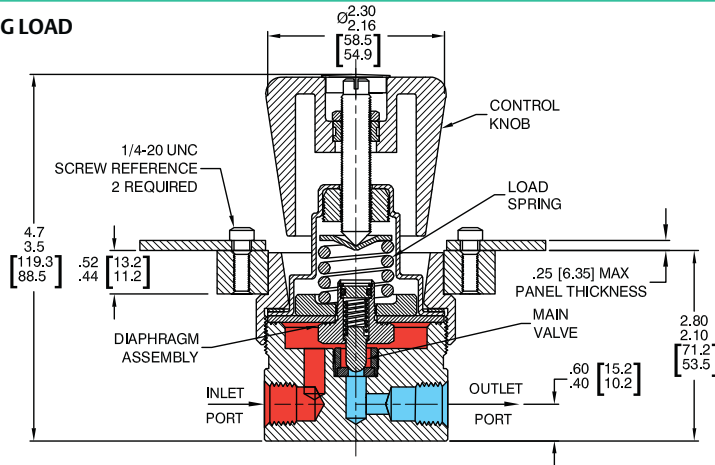
- Hydraulic or pneumatic testing
- Calibration
- Pump discharge pressure control

**Features and Benefits**

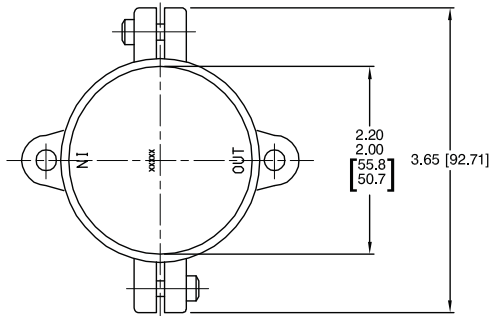
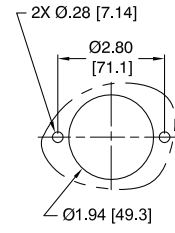
- Crack to reseal - 2% of set pressure
- Easily adjusted, low torque handknob control
- Bubble-tight shutoff at all reseal pressures
- Four flow capacities available:  
C<sub>v</sub> = 0.60 standard  
C<sub>v</sub> = 0.06, 0.12, 1.0 optional
- Spring, dome, and air loaded models are available
- Panel mounting is standard
- Compatible with TESCOM ER3000 Electropneumatic Controller

26-2300 Series Regulator Drawings

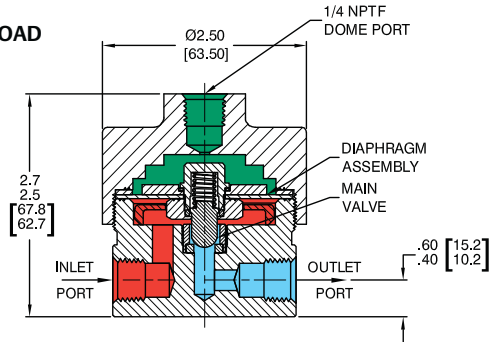
SPRING LOAD



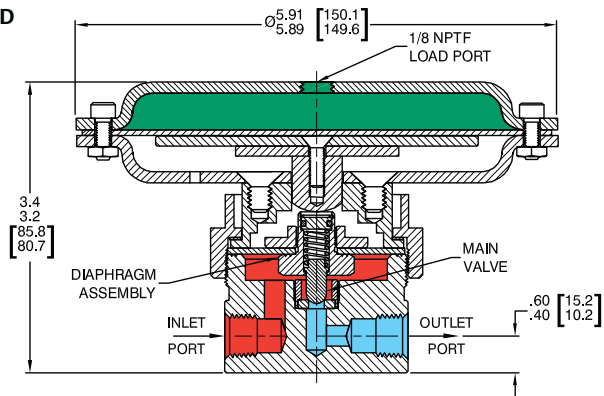
PANEL CUT-OUT



DOME LOAD



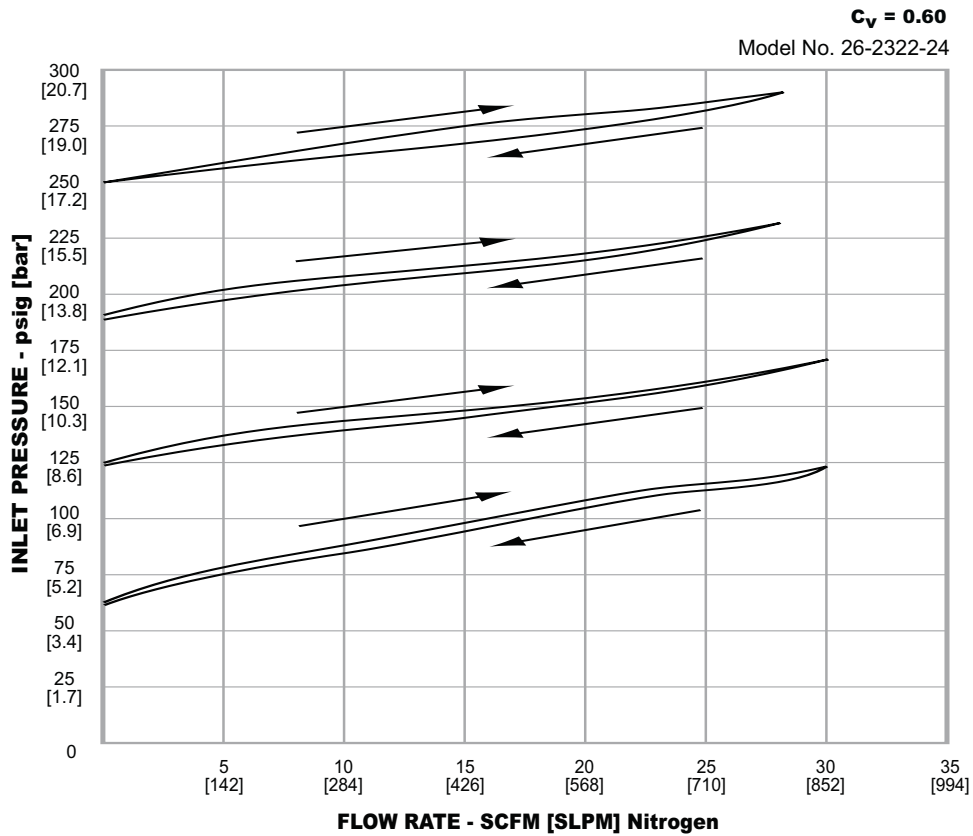
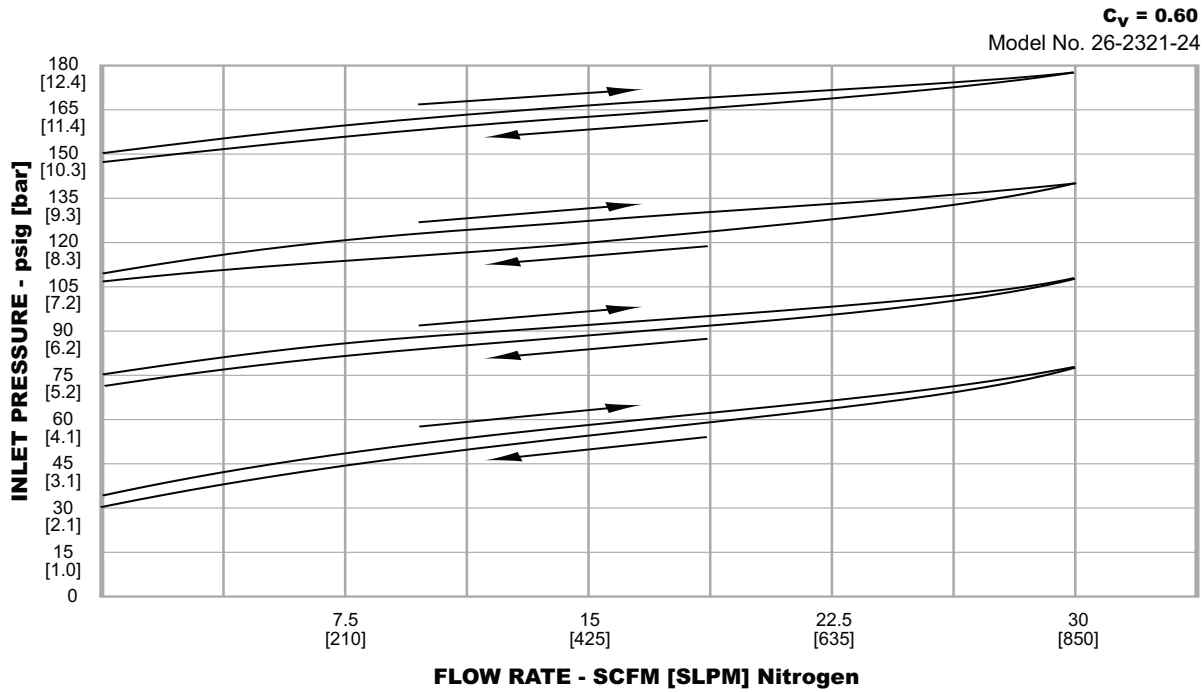
AIR LOAD



All dimensions are reference & nominal  
Metric [millimeter] equivalents are in brackets

## 26-2300 Series Regulator Flow Charts

For more information on how to read flow curves, please refer to the Flow Curves and Calculations document (debul2007x012) in the TESCOM catalog or on [www.tescom.com](http://www.tescom.com).



## 26-2300 Series Regulator Part Number Selector

*Repair Kits, Accessories & Modifications may be available for this product. Please contact TESCOM for more information.*

Example for selecting a part number:

26-23	2	1	-	2	4
BASIC SERIES	BODY MATERIAL	CONTROL PRESSURE RANGE		INLET AND OUTLET PORT TYPE	INLET AND OUTLET PORT SIZE
26-23	2 – 303 Stainless Steel 3 – 2024-T351 Aluminum 6 – 316 Stainless Steel	0 – 0-50 psig 0-3.4 bar 1 – 0-150 psig 0-10.3 bar 2 – 0-250 psig 0-17.2 bar		1 – SAE 2 – NPTF 3 – MS33649	4 – 1/4" 6 – 3/8" 8 – 1/2"